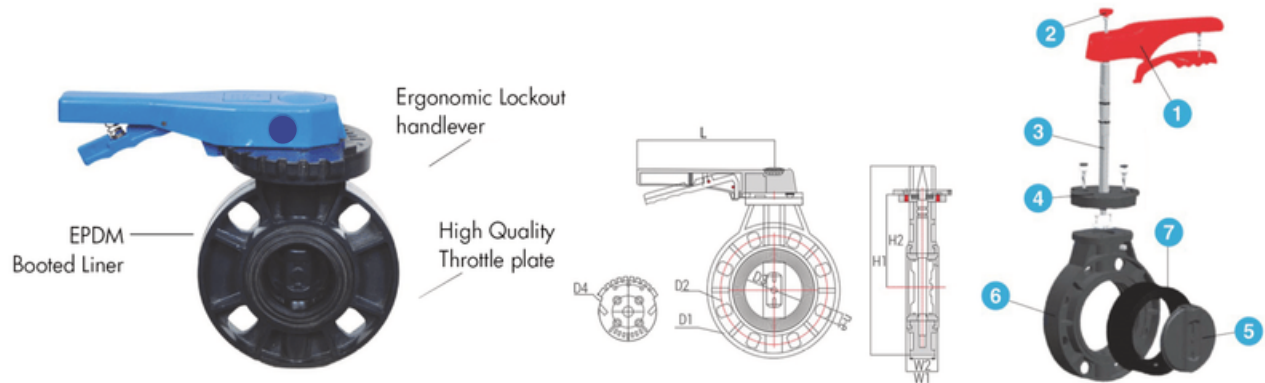


Butterfly valve



- Disc available in different materials (PVC-U, CPVC, PP-H).
- Ideally suited for flow control using minimal piping space.
- 100% factory tested.
- Minimal pressure drop.
- Built in lockout feature to prevent undesired operations.
- Stainless steel shaft (AISI 630).
- Sleek PP handle.
- Low maintenance.
- Resistance to many inorganic chemicals.
- Excellent flow characteristics.
- Good mechanical strength.
- One piece PP - GF body.

Parts List

- | | |
|---------------------------------------|------------------|
| 1. Operator (Lever or Gear). | 5. Disc. |
| 2. Bezel (Screw). | 6. Body. |
| 3. SSSL Stem. | 7. Liner. |
| 4. Throttle Plate with Screws. | |

Ref. Code	Product Details
BFT200F	Butterfly valve, flanged end, 63 mm 2" size, BS Std
BFT250F	Butterfly valve, flanged end, 75 mm 2 1/2" size, BS Std
BFT300F	Butterfly valve, flanged end, 90 mm 3" size, BS Std
BFT400F	Butterfly valve, flanged end, 110 mm 4" size, BS Std
BFT600F	Butterfly valve, flanged end, 160 mm 6" size, BS Std
BFT800F	Butterfly valve, flanged end, 200 mm 8" size, BS Std

Dimensions (in mm)

SIZE	2"	2-1/2"	3"	4"	6"	8"
D1	160	180	195	228	286	344
D2	100-122	138-143	138-158	150-184	238-242	292-300
D3	56	70	84	103	150	198
D4	100	100	100	100	140	140
L	190	190	240	240	310	310
W1	44	49	52	55	75	93
H1	224	247	284	320	400	475
H2	100	115	135	157	190	230
n-Øe	4-20	4-20	8-20	8-20	8-24	8-24