

QR series - Counterflow systems (Fitness, fun and treatment on demand)



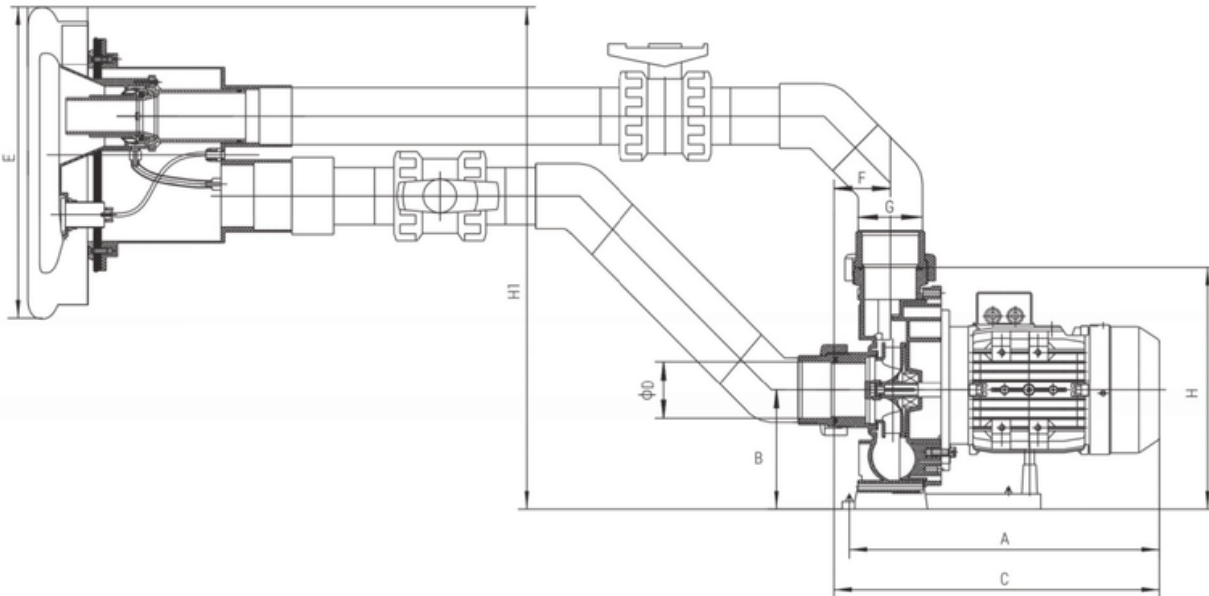
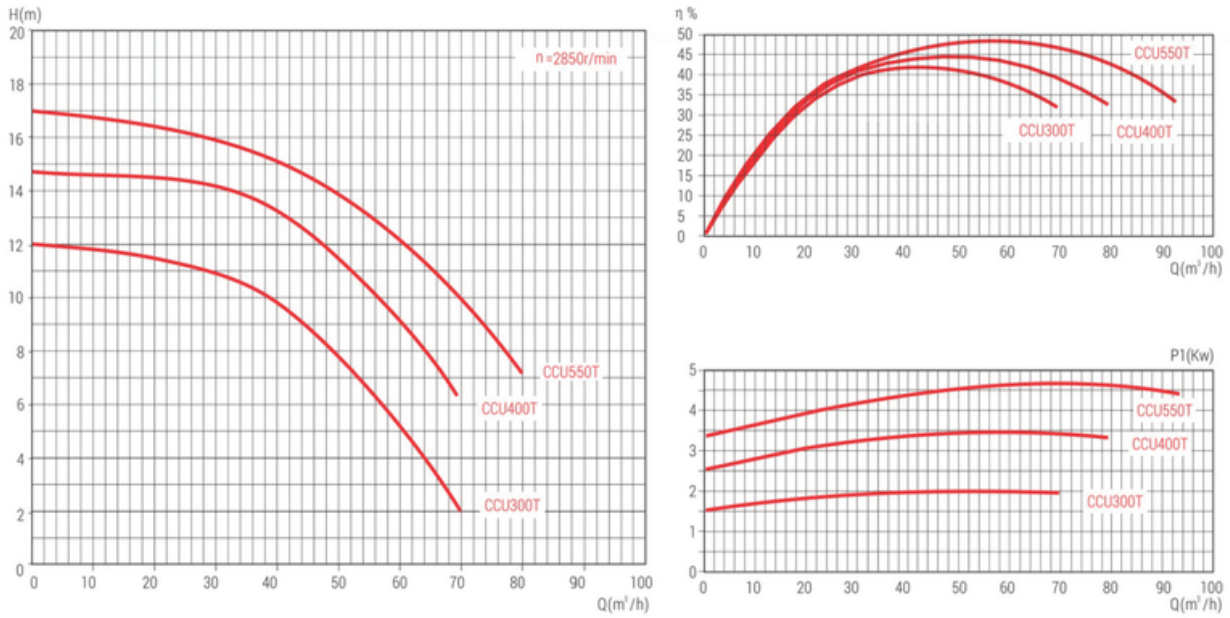
QR countercurrent swimming equipment makes it possible to customize therapeutic, training and fun activities in any kind of pool. The compact plastic design and its reduced size enable it to be fitted in the smallest of spaces and it is fully compatible with any kind of pool surfaces. The multi-directional nozzle makes the jet of water easily adjustable to suit different kinds of exercises.

- Supplied in a kit that includes a front panel, nozzle set, wall housing and a pneumatic ON/OFF switch
- Pump body & pump foot in PP
- Pump body without strainer basket
- Asynchronous continuous duty 2-pole motor with F class insulation
- Union connectors with 90/90 mm BS pipe sockets
- Ball bearings- water-proof, sealed, resistant to water and humidity
- Standard Voltage: Three-phase 230/400V 50Hz
- Liquid temperature range: up to 50°C
- Maximum ambient temperature: up to 50°C
- Maximum operating pressure: 2,5 bar

Technical Specification

Model without CCU	Model with CCU	HP	KW	V	A	P1(KW)	Q	L/min M³/h	0	333.3	500	666.7	833.3	1000	1166	1333	
				3~	3~				0	20	30	40	50	60	70	80	
QRCC300T	CCU300T	3.0	2.2	380	4.9	2.8	H(m)	12	11.7	10.5	9.8	7.9	5.8	2.1			
QRCC400T	CCU400T	4.0	3.0	380	6.4	3.6		14.5	14.2	14	13.4	11.5	9.5	6.7			
QRCC550T	CCU550T	5.5	4.0	380	8.3	4.7		18.2	16.2	16	15.3	13.8	12.5	9.5	7.5		

Performance Curves



Dimensions (in mm)

Ref. Code	A	B	C	D	E	F	G	H	H1
CCU300T	370	156	440	90	395	77	90	340	635
CCU400T	410	156	470	90	395	77	90	340	635
CCU550T	440	156	500	90	395	77	90	340	635

QRCC models comes with suction and delivery union of 110 and 90 mm dia.