

## High Performance Sand Filter - Side Mounted



High performance side mounted sand filters are manufactured with polyster and glass fiber winding for dependable, durable and all weather operation

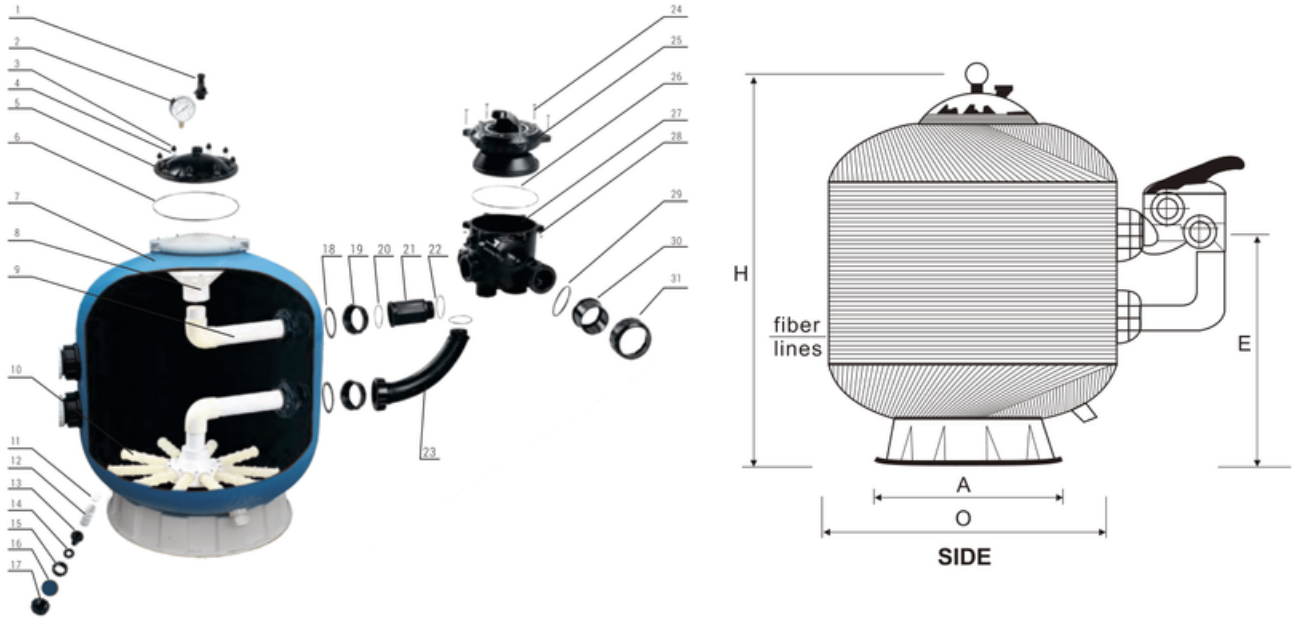
They are economic, but with impressive performance for private pool and Jacuzzi..

### Features :

- UV and corrosion resistant.
- Shell thickness over 6mm.
- Hydraulically balanced umbrella - fold laterals for balanced flow, back washing and easy maintenance.
- Multi-port 6-way valve with lever-action handle comes with quick connect unions.
- Integral sight glass for watching backwash cycle.
- Manometer, air-bleed apparatus for monitoring and varying the pressure of filtration system.
- Sand/water drain for rapid winterizing or servicing.
- Maximum working pressure: 2.5 bar. (4.0 bar available on request)
- Maximum working temperature: 50 degC
- Product with guarantee for structural integrity & the longevity.

#### Functions of 6 way (Multi-port) valve

- |             |                 |          |
|-------------|-----------------|----------|
| 1. Filter   | 2. Waste        | 3. Close |
| 4. Backwash | 5. Re-circulate | 6. Rinse |



## Technical Specification

Ref. Code	Diameter (O)	Connection	Flow	Surface Area	Gravel / Sand weight		Pressure	H	A	E
	mm				mm	m <sup>3</sup> /h				
AS450S	450	48/50	8.00	0.13	25	60	2.5	665	390	385
AS500S	500	48/50	11.52	0.22	25	75	2.5	712	390	405
AS650S	650	48/50	16.20	0.28	50	140	2.5	810	565	435
AS700S	700	48/50	20.40	0.37	50	190	2.5	880	565	485
AS800S	800	50/63	24.90	0.50	70	250	2.5	1020	790	605
AS900S	900	50/63	33.00	0.64	100	310	2.5	1110	790	650
AS1000S	1000	50/63	39.50	0.79	200	475	2.5	1140	790	680
AS1200S	1200	50/63	56.50	1.13	300	875	2.5	1385	980	800

Filters with 75/90mm flange outlet also available in 1000, 1200mm diameter with same dimensions.

## Diagram

No.	Description	No.	Description	No.	Description	No.	Description
1	Air Release Valve	10	Lateral	19	Nut	28	Nut
2	Pressure Gauge	11	Cover	20	O Ring	29	O Ring
3	Nut	12	Drain Lateral	21	Piping Assembly	30	Pipe
4	Sealwasher	13	Pipe	22	O Ring	31	Nut
5	Valve Cover	14	Sealed Ring	23	Piping Assembly		
6	O Ring	15	Nut	24	Screw		
7	Filter Tank	16	Sealed Ring	25	Valve Cover		
8	Filter	17	Drain cap	26	O Ring		
9	Piping Assembly	18	Sealed Ring	27	Valve Body		